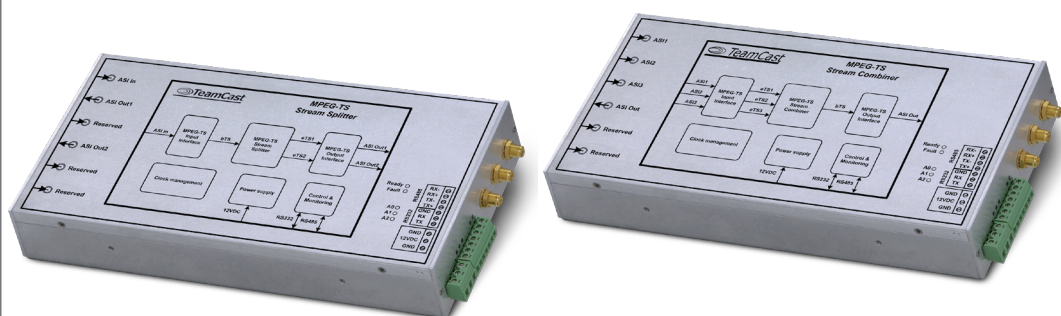


TSE0-1000

MPEG-TS Stream Combiner & Splitter

A compact OEM solution to combine your contributions and make your RF links more efficient!

- Cost effective solution
- Compact size
- High performance and reliability



Key features :

- Transparent MPEG-TS transport
- Standard MPEG-TS Private section encapsulation
- Small overhead (< 5 %)
- Network jitter filtering
- PCR re-stamping
- Compact size for easy OEM integration
- Single 12V power supply

Description

The TS combiner (TSE0-1030) associated to the TS splitter (TSE0-1010) implement a cost effective and highly integrated process which is designed to transport one or several MPEG-TS streams transparently over a distribution networks. The TSE0-1000 shows all its advantage for a high bit rate transmission, like DVB-S2. Indeed, in a video link transmission it permits to save frequency by multiplexing two or more transport streams.

Simple and open protocol

TSE0-1000 implements a proven and open encapsulation protocol based on the MPEG-TS Private Section format. TeamCast has selected this protocol because of its simplicity and availability, and therefore take the advantage to integrate it within the cost effective ModulCast product range. Contrary to existing proprietary solutions on the market, thank to its private encapsulation, the TSE0-1000 solution provides the means to multiplex streams without contrariety of PID.

Combiner (TSE0-1030)

The combiner allows multiplexing up to tree streams; more are possible by cascading several combiners. The combiner offers the possibility to optimize the bit rate of each stream by removing null packet generated by a previous modulation or the encoder. Combined stream bit rate can be set to fit the existing system.

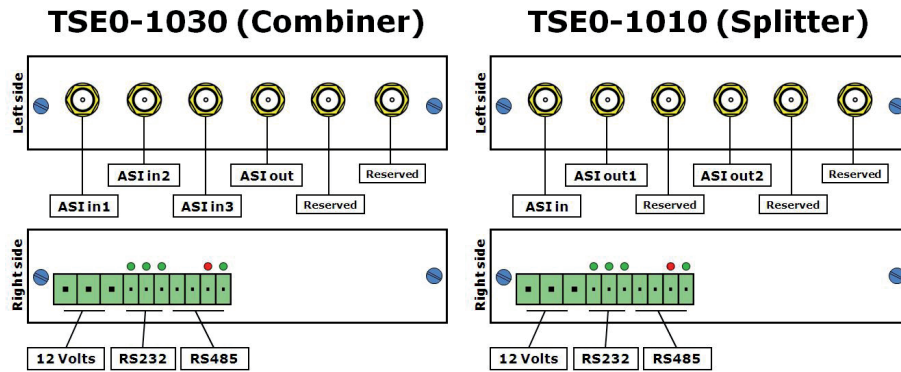
Splitter (TSE0-1010)

The splitter allows de-multiplexing up to two streams; more are possible by cascading several splitters. Onto each output it is possible to select the desired stream. Each output stream can have its own bit rate. The timestamp (PCR) continuity and precision can be assured by an update.

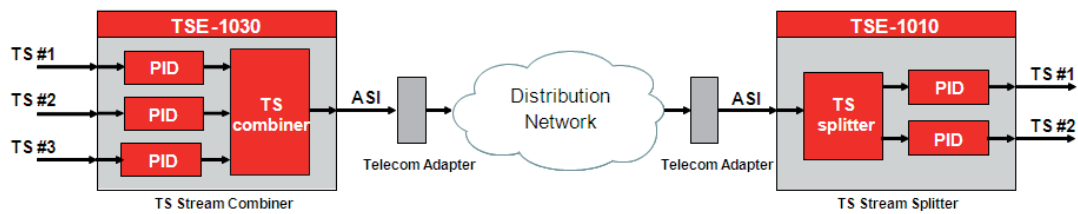
TSE0-1000

Stream Combiner & Splitter

Connectors



Architecture



Specifications¹

■ Standards

- o DVB-ASI EN 50083-9, ETSI TR 101 891
- o MPEG-TS ISO/IEC 13818-1

■ TSE-1030- TS Combiner

- o Inputs: 3 x ASI interfaces - 50 Mbps max - 188 bytes
- o Output: 1 x ASI interface - 150 Mbps max - 188 bytes
- o SI/PSI generation: PAT, PMT, NIT and SDT
- o Adjustable output data rate up to 150 Mbps
- o Encapsulation overhead ratio: 22/21

■ TSE- 1010- TS Splitter

- o Inputs: 1 x ASI interfaces - 150 Mbps max - 188 bytes
- o Output: 2 x ASI interfaces - 50 Mbps max - 188 bytes
- o Output bit rate adaptation
- o Output PCR restamping

■ Physical

- o Supply voltage: 12 VDC - 15 W maxi
- o ASI: SMA connectors - 75 Ω
- o RS-232/RS-485 control port with ASCII protocol
- o Compact aluminium package (220 x 110 x 35 mm) with very low thermal resistance
- o Operating temperature range: 0 °C to 50 °C

Ordering Information

xSWM-TSE0-1030	3 to 1 TS Stream combiner
xSWM-TSE0-1010	1 to 2 TS Stream combiner

¹ Specifications are not contractual and are subject to revision without notice.